

Rotary actuator with emergency control function for ball valves

- Nominal torque 10 Nm
- Nominal voltage  
AC 24...240 V / DC 24...125 V
- Control Open-close
- with 2 integrated auxiliary switches
- Deenergised closed (NC)


**Technical data**

<b>Electrical data</b>	Nominal voltage	AC 24...240 V / DC 24...125 V	
	Nominal voltage frequency	50/60 Hz	
	Nominal voltage range	AC 19.2...264 V / DC 21.6...137.5 V	
	Power consumption in operation	6 W	
	Power consumption in rest position	2.5 W	
	Power consumption for wire sizing	9.5 VA	
	Auxiliary switch	2 x SPDT, 1 x 10% / 1 x 11...90%	
	Switching capacity auxiliary switch	1 mA...3 (0.5) A, AC 250 V	
	Connection supply / control	Cable 1 m, 2 x 0.75 mm <sup>2</sup>	
	Connection auxiliary switch	Cable 1 m, 6 x 0.75 mm <sup>2</sup>	
	Parallel operation	Yes (note the performance data)	
	<b>Functional data</b>	Torque motor	Min. 10 Nm
Torque spring return		Min. 10 Nm	
Direction of rotation spring-return		Deenergised NC, valve closed (A - AB = 0%)	
Manual override		By means of hand crank and locking switch	
Angle of rotation		90°	
Running time motor		75 s / 90°	
Running time emergency setting position		<20 s / 90°	
Sound power level motor max.		45 dB(A)	
Position indication		Mechanical	
Service life		Min. 60,000 emergency positions	
<b>Safety</b>		Protection class IEC/EN	II Protective insulated
		Protection class UL	II Protective insulated
	Protection class auxiliary switch IEC/EN	II Protective insulated	
	Degree of protection IEC/EN	IP54	
	Degree of protection NEMA/UL	NEMA 2, UL Enclosure Type 2	
	EMC	CE according to 2004/108/EC	
	Low voltage directive	CE according to 2006/95/EC	
	Certification IEC/EN	IEC/EN 60730-1 and IEC/EN 60730-2-14	
	Certification UL	cULus according to UL 60730-1A, UL 60730-2-14 and CAN/CSA E60730-1:02	
	Mode of operation	Type 1.AA.B	
	Rated impulse voltage supply / control	4 kV	
	Rated impulse voltage auxiliary switch	2.5 kV	
Control pollution degree	3		
Ambient temperature	-30...50 °C		
Non-operating temperature	-40...80 °C		
Ambient humidity	95% r.h., non-condensing		
Maintenance	Maintenance-free		
<b>Weight</b>	Weight approx.	2.3 kg	

**Safety notes**


- This device has been designed for use in stationary heating, ventilation and air conditioning systems and is not allowed to be used outside the specified field of application, especially in aircraft or in any other airborne means of transport.
- Caution: Power supply voltage!

## Safety notes

- Only authorised specialists may carry out installation. All applicable legal or institutional installation regulations must be complied during installation.
- The device may only be opened at the manufacturer's site. It does not contain any parts that can be replaced or repaired by the user.
- Cables must not be removed from the device.
- The device contains electrical and electronic components and is not allowed to be disposed of as household refuse. All locally valid regulations and requirements must be observed.
- The two switches integrated in the actuator are to be operated either on power supply voltage or at safety extra-low voltage. The combination power supply voltage/ safety extra-low voltage is not permitted.

## Product features

<b>Mode of operation</b>	The actuator is equipped with a universal voltage feed module that can utilise supply voltages of AC 24 ... 240V and DC 24 ... 125V. The actuator moves the ball valve to the operating position at the same time as tensioning the return spring. The ball valve is turned back to the emergency position by spring force when the supply voltage is interrupted.
<b>Direct mounting</b>	Simple direct mounting on the ball valve with only one screw. The mounting orientation in relation to the ball valve can be selected in 90° steps.
<b>Manual override</b>	Manual actuation of the valve with manual elevator crank, engagement with the locking switch at any position. Unlocking is manual or automatic by applying the operating voltage.
<b>High functional reliability</b>	The actuator is overload protected, requires no limit switches and automatically stops when the end stop is reached.
<b>Adjustable angle of rotation</b>	Adjustable angle of rotation with mechanical end stop.
<b>Flexible signalization</b>	The actuator has one auxiliary switch with a fixed setting and one adjustable auxiliary switch. They permit a 10% or 11...90% angle of rotation to be signaled.

## Electrical installation

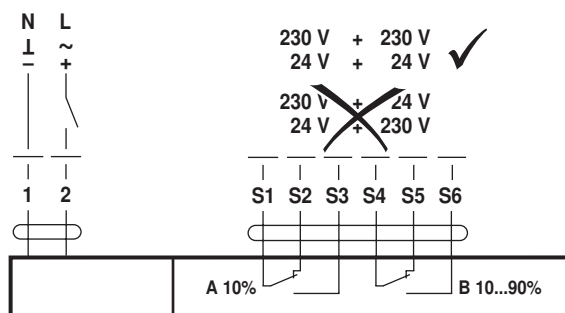


### Notes

- Caution: Power supply voltage!
- Parallel connection of other actuators possible. Observe the performance data.

## Wiring diagrams

AC 24...240 V / DC 24...125 V, open-close

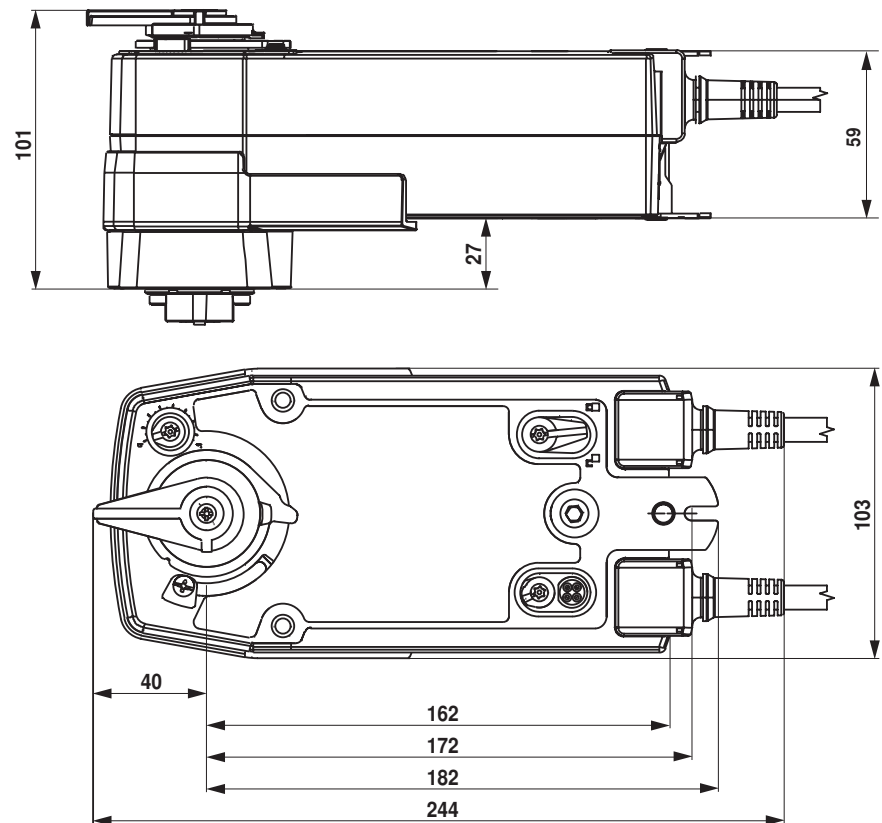


### Cable colours:

- 1 = blue
- 2 = brown
- S1 = violet
- S2 = red
- S3 = white
- S4 = orange
- S5 = pink
- S6 = grey

## Dimensions [mm]

## Dimensional drawings



## Further documentation

- Overview Valve-actuator combinations
- Data sheets for ball valves
- Installation instructions for actuators and/or ball valves
- General notes for project planning