

GXD..31.1

Keep this instruction guide together with the actuator or with the plant documentation!

⚠ Only authorized personnel may perform electrical connections for AC 230V.

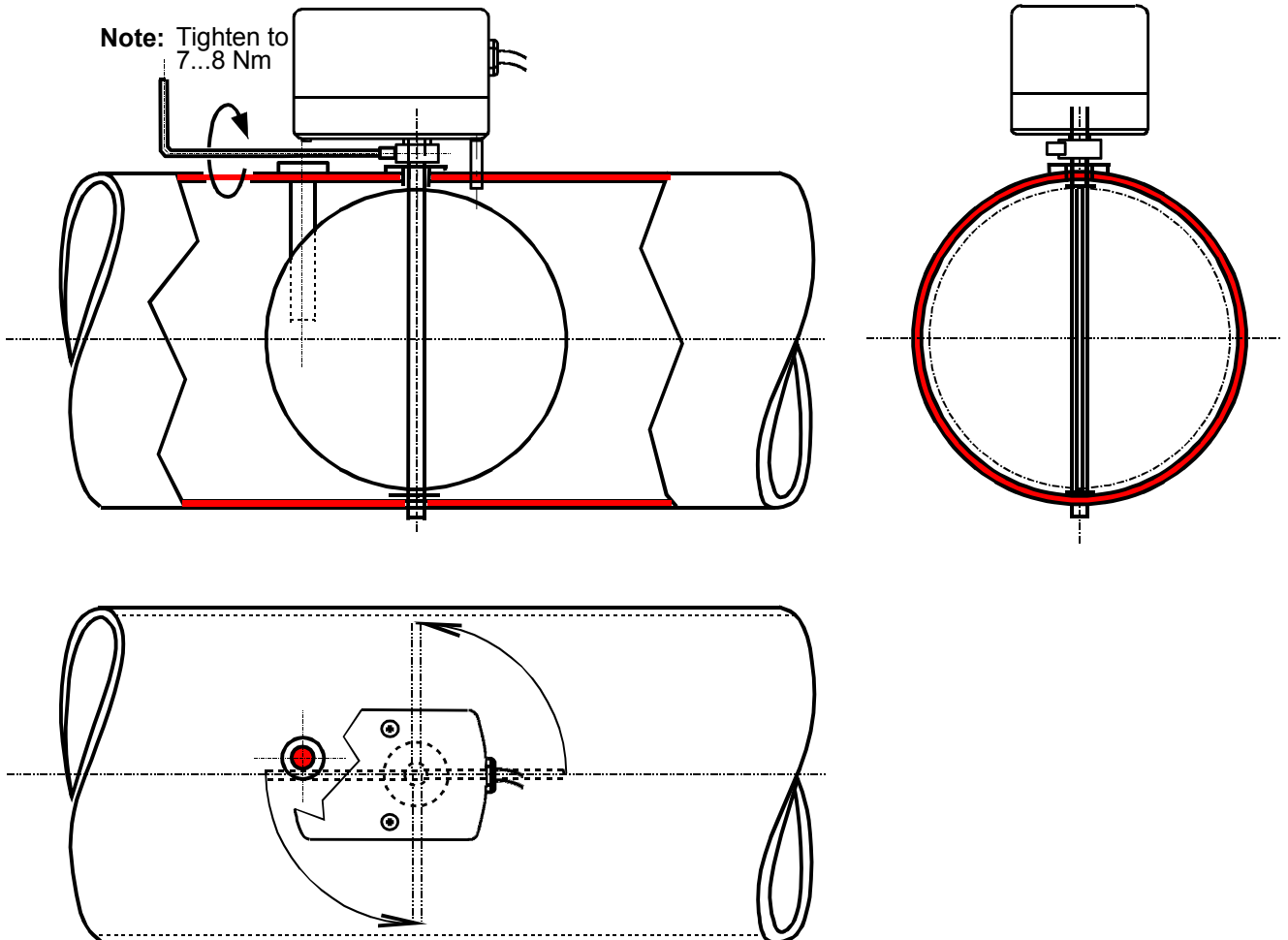
⚠ **Attention! Do not open the actuator.**  
The units are maintenance-free. Any repair work must be conducted by the manufacturer only. Opening of the actuator will void warranty.

**Wiring and commissioning**

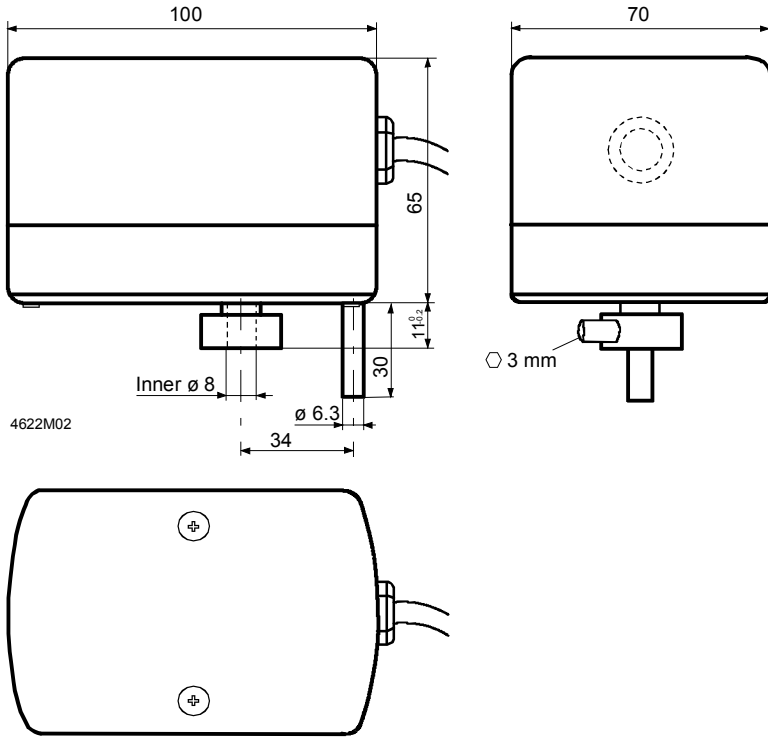
See the commissioning instructions and the data sheet for the actuator.



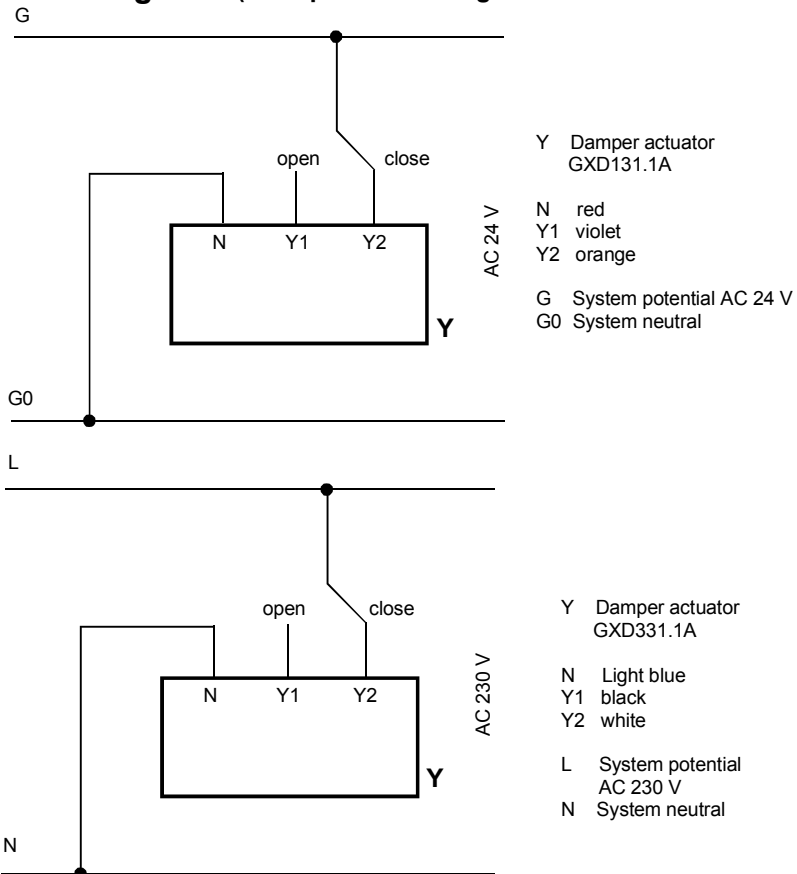
**Shaft Mounting**



## Dimensions



## Wire diagrams (example: control signals for drive direction counter clockwise)



### Control signals AC 230 V

Wires light blue – black Clockwise  
Wires light blue – white Counter clockwise

### Control signals AC 24 V

Wires red-violet Clockwise  
Wires red-orange Counter clockwise